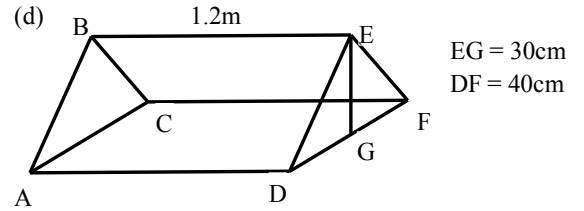
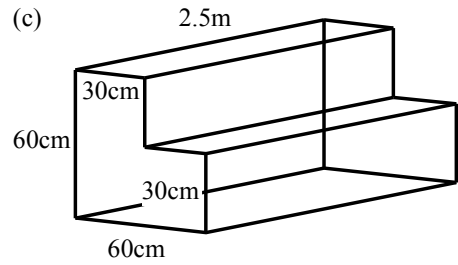
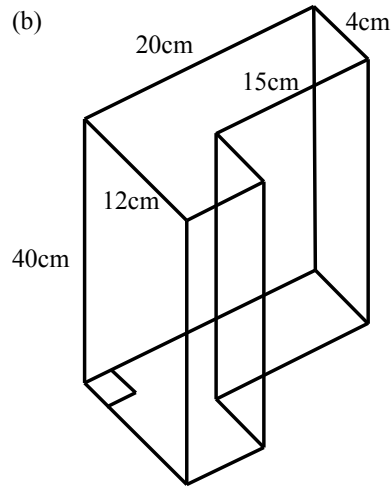
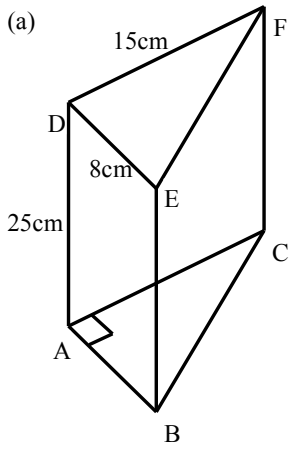


Prisms and Cylinders



1) For each of the four prisms above, calculate (i) the area of the cross-section and (ii) the volume of the prism.

2) Find the volume of the following cylinders:

(a) radius 8cm, height 20cm

(b) diameter 12cm, height 30cm

(c) radius 40cm, height 1.5m

3) A prism has a cross-section with area 60cm^2 . If the volume of the prism is 1500cm^3 , what is its length?

4) A prism has a volume of 500cm^3 . If its length is 25cm, what is the area of its cross-section?

5) A cylinder has a radius of 5cm. (a) Find the area of its cross-section. (b) If the volume is 1000cm^3 , find its height.